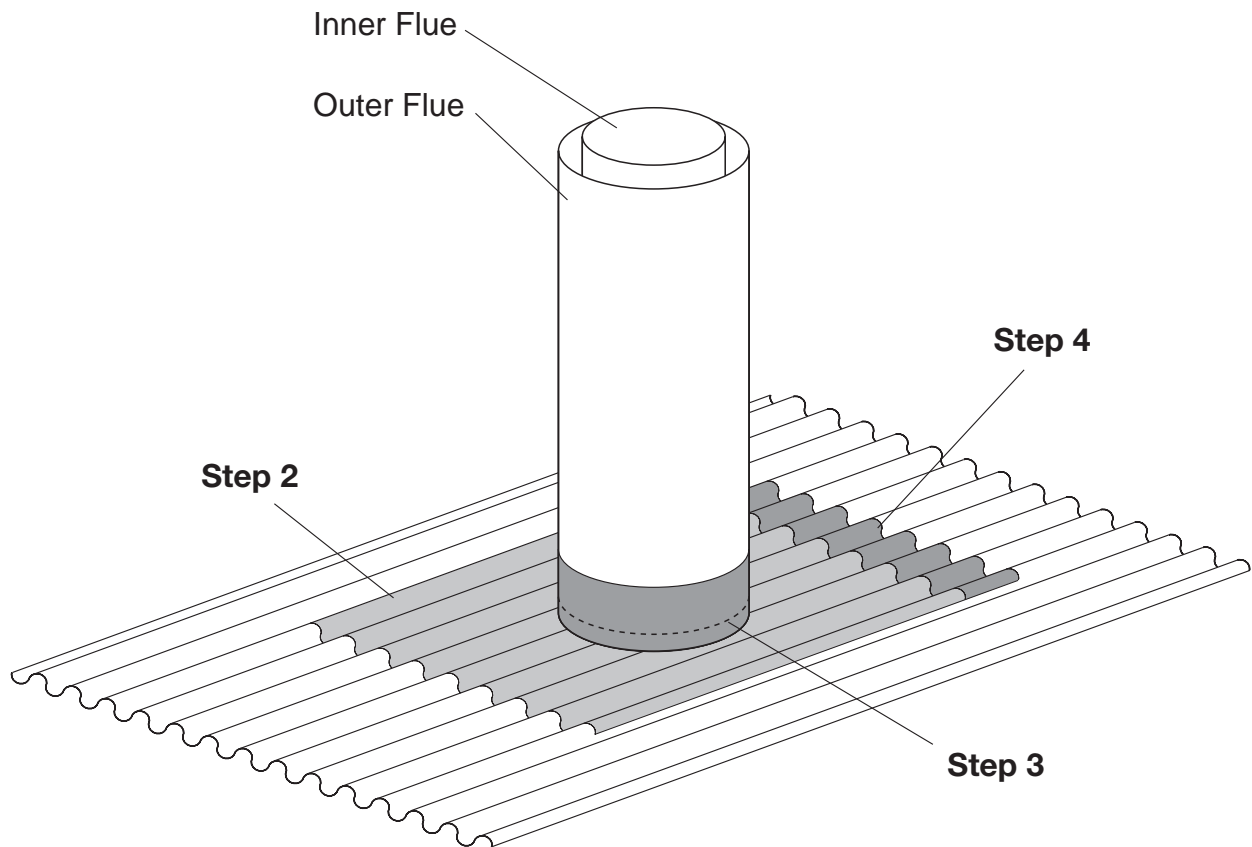




Butynol Flue Flashing



Step 1

Measure Butynol to suit size of pipe. Cut a smooth round hole at least 20mm smaller than diameter at flue penetration.

Step 2

Fix Butynol Flashing onto roofing with WA 98 adhesive ensuring membrane is relaxed into roofing profile.

Step 3

Apply collar of Detail Tape bending onto 20mm Butynol upstand.

Step 4

Apply flashing strip of Detail Tape sealed with Seam Primer onto Butynol top edge and roofing ensuring feather edge is on the outside.