



# Tiling over Butynol<sup>®</sup> on enclosed decks



For more information  
refer demonstration video clip  
[www.butynol.co.nz](http://www.butynol.co.nz)

**4 E2/AS1  
Approved  
methods for  
removable  
tiling over  
Butynol**

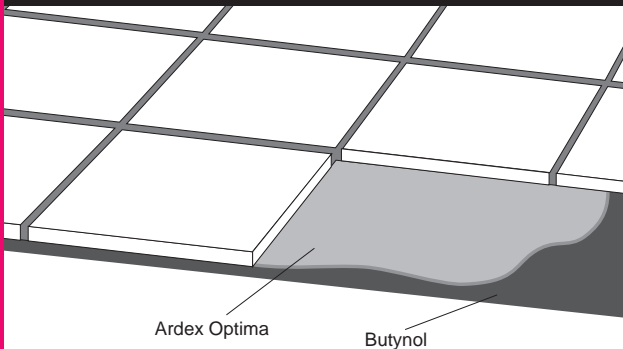


# 4 Approved ways to lay tiles/decking over Butynol membrane

## complying with E2/AS1 (7.3.1.1 Removable Surfaces)

Under E2/AS1 (7.3.1.1 Removable Surfaces) raised removable surfaces shall be provided over the underlying weathertight membrane enclosed deck surface.

### Laid onto loose laid Butynol

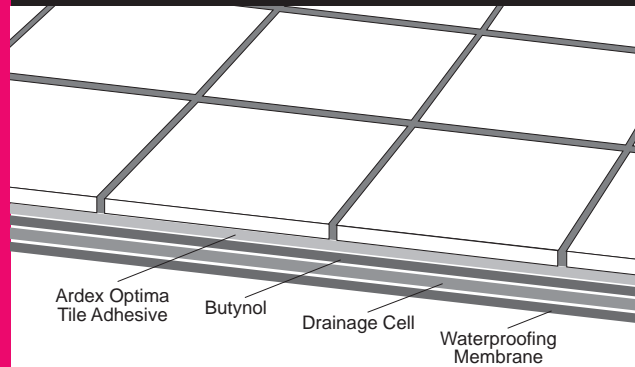


Loose lay the Butynol membrane onto the existing membrane surface. Use the Ardex Optima undertile kit to affix tiles to the loose laid Butynol as per the specifications in the Ardex Manual (Butynol and EPDM membranes).

As and when necessary the Butynol can be lifted as required under E2/AS1 (7.3.1.1 Removable Surfaces).

\*Kit is comprised of 30kg/10L Optima and 5m<sup>2</sup> Butynol 1mm.

### Laid onto Butynol over Drainage Cell



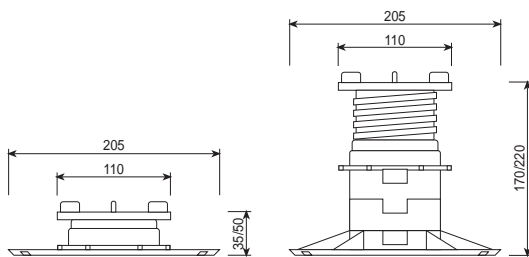
The synthetic drainage cell is cut to fit the deck to be tiled over. (the waterproofing membrane is already in place)

The Ardex Butynol (refer the Ardex Optima Undertile kit) is loose laid over the drainage cell.

Ceramic tiles are fixed to the loose laid Butynol using the Ardex Optima kit.

Grouting is done in the normal manner.

### Laid on floating system over Butynol



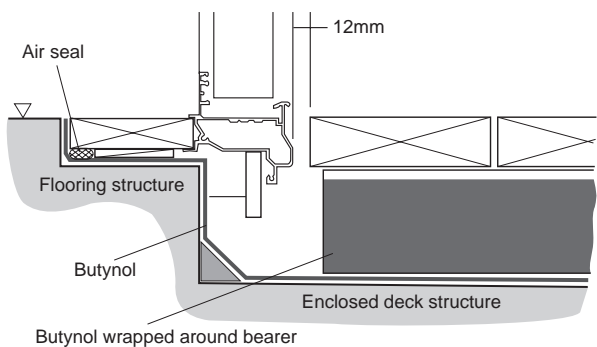
Tiling is affixed onto 20mm compressed fibre sheet with Ardex Ceramic Tile Adhesive.

The Maxi adjustable supports are placed into position at the required height to provide a floating paving system.

Adjustable height is from 35mm to 220mm.

These supports are available from Ardex on indent order.

### Wooden decking laid over Butynol



Loose lay Ardex Butynol onto the enclosed deck surface.

Select wooden bearers and cut to size. Wrap Butynol membrane around two sides and the bottom of each bearer and attach.

Fix joists to bearers and then screw decking for removal and access.



ARDEX NEW ZEALAND LTD  
Auckland Ph 09-580 0005  
Wellington Ph 04-568 5949  
Christchurch Ph 03-384 3029

[www.butynol.co.nz](http://www.butynol.co.nz)



BRANZ Appraised  
Appraisal No.436 [2005]