

Pillow Tanks

Recommended for storage of untreated water.

The need to be able to store surplus winter rain water for summer use is becoming very important for:

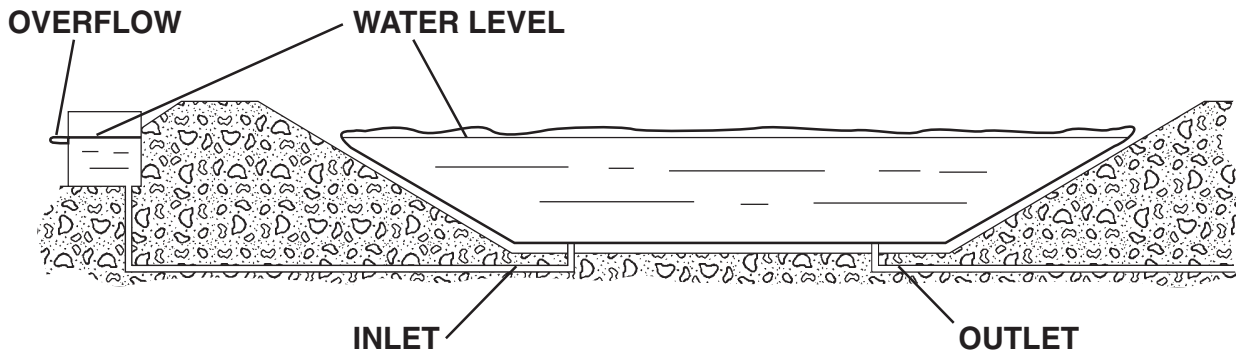
- HORTICULTURE
- FIRE FIGHTING
- FACTORY
- FRUIT CLEANING
- DOMESTIC
- STOCK DRINKING WATER
- POTABLE USE

In all these areas rain water may be collected from domestic houses, packing sheds and warehouse roofs or from a small hillside stream and stored in a pillow tank until required. Pillow storage tanks are normally designed as economical storage for up to 50,000 gallons, providing a totally enclosed, dust and contamination-free reservoir. Made from

1mm Butynol, they are simply placed in a shallow excavation with plumbing entering from below, as shown in diagram. The greatest advantages are low cost and ease of transportation.

IMPORTANT POINTS TO NOTE

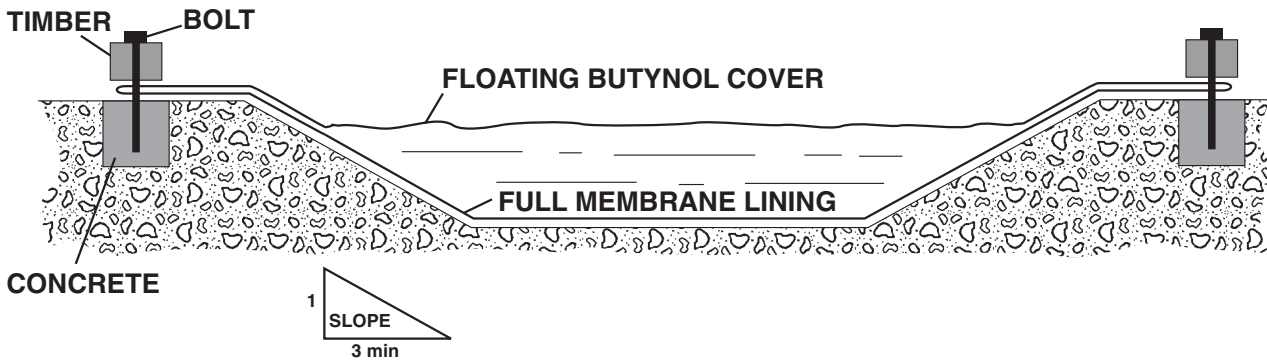
- Sand or crusher dust must be used for the finishing layer for excavation work.
- Embankments must NOT be greater than 30° slope.
- A pillow tank must always have a level control tank, to prevent over filling.
- The Butynol floating top surface of the pillow tank must always remain unstressed.
- If a large volume of water is to be pumped out quickly, a Vortex plate must be fitted to outlet pipe inside tank.
- Consideration should be given to fencing if stock are present and to drainage of surplus rain water off embankment.



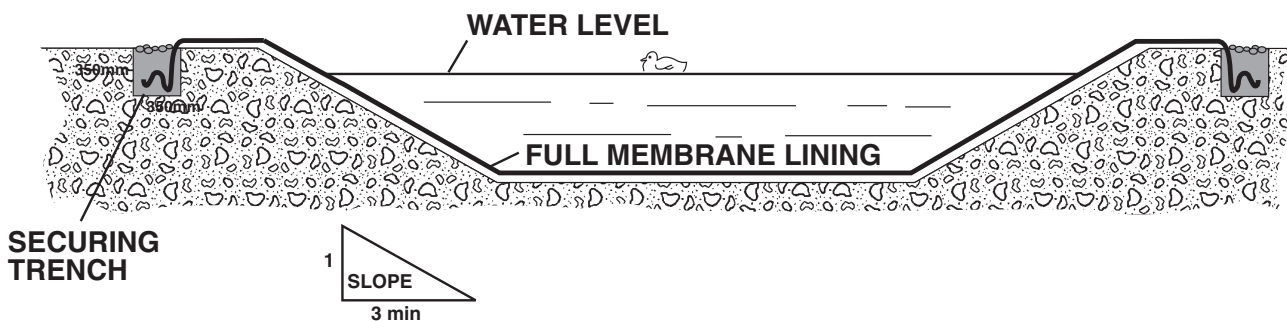
Reservoirs

Method of securing Butynol around top of Embankment

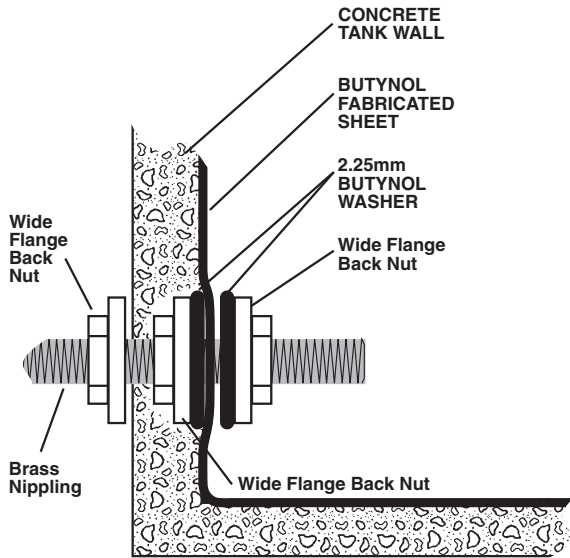
WITH FLOATING COVER



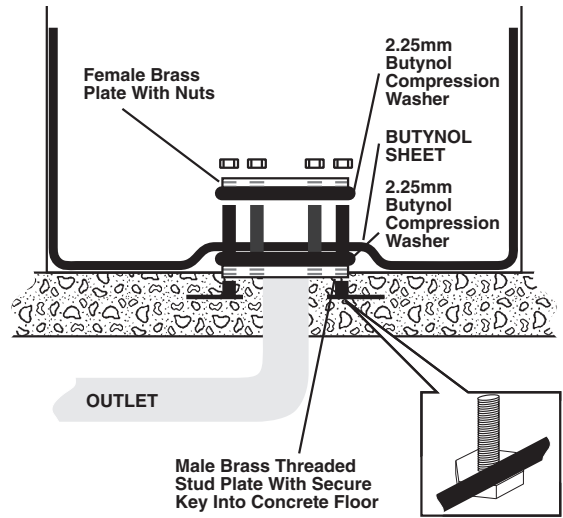
OPEN RESERVOIR



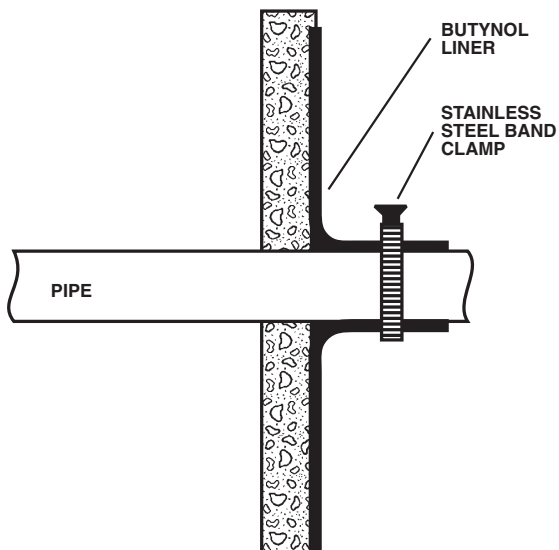
TANK WALL FITTING



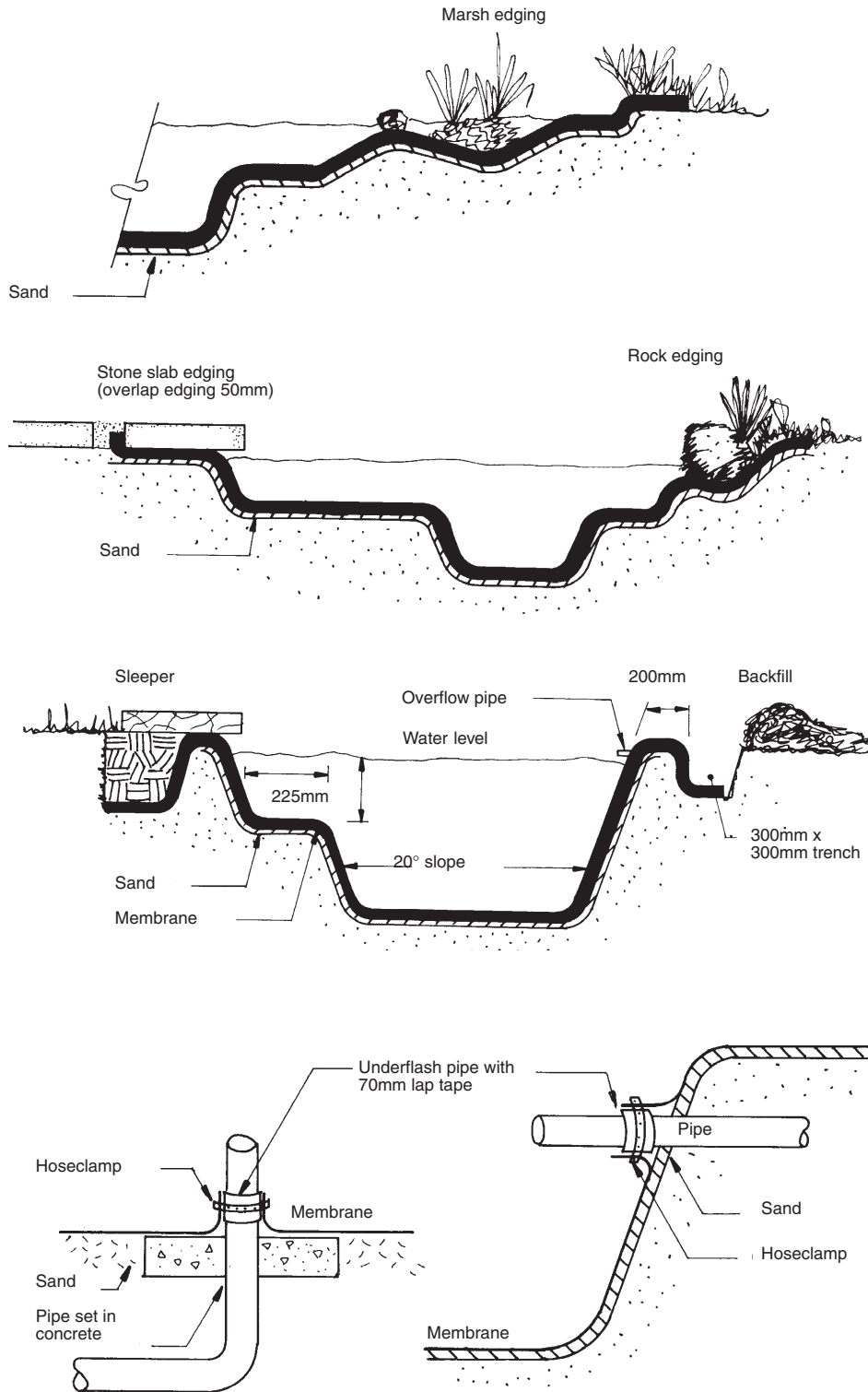
TANK OUTLET



TANK PIPE FITTING



MEMBRANE POND LINER DETAILS



Ardex pond liners are non-toxic and safe for fish and are ready for use once the water has been stabilised.