



ARDEX AF 460 MS

One-Component Firm-Elastic Engineered Timber Adhesive

MS Polymer adhesive for engineered timber floorcoverings

Moisture, weather and water resistant

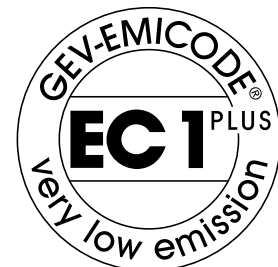
High temperature resistance - for use in areas of direct sunlight

Very high bond strength

Very low emissions

Solvent free

Covers up to 42m²



ARDEX New Zealand Ltd
15 Alfred Street
Onehunga, Auckland 1061
Phone: 0800 227 339
Email: info@ardexnz.com
ardex.co.nz

ARDEX AF 460 MS

One-Component Firm-Elastic Engineered Timber Adhesive

DESCRIPTION

ARDEX AF 460 MS is a solvent free, low odour, wet bond MS Polymer based engineered timber floorcovering adhesive. ARDEX AF 460 MS is protected from biodegradation and has good resistance to plasticiser migration.

ARDEX AF 460 MS meets the requirement guidelines for the EMICODE licence 'EC1 PLUS R', achieving very low emission limits.

USE

ARDEX AF 460 MS is ideal for installing engineered timber, strip parquet and cork floorcoverings, and can be used with all ARDEX levelling and smoothing compounds in both commercial and domestic locations.

ARDEX AF 460 MS is suitable for use with chairs fitted with castor wheels.

ARDEX AF 460 MS can be used for bonding of ARDEX DS 70 acoustic underlay.

PRIMING

Priming is not required over ARDEX levelling compounds. Use ARDEX PU 30 over other substrates in accordance with the product datasheet.

SUBSTRATE PREPARATION

The subfloor must contain an effective damp proof membrane and be dry, with an equilibrium relative humidity of 75% or below. Where an effective damp proof membrane is absent, or the relative humidity of the subfloor is above 75% RH, consult the ARDEX Moisture Control brochure or contact ARDEX Technical Services for the correct product selection.

The surface being adhered to must be clean, firm and free dust, dirt, oil, grease, curing compounds, release agents and other barrier materials. The surface being adhered to must also be sound and smooth in accordance with the relevant clauses of NZS/AS 1884:2013.

Any dust should be removed using suitable vacuum equipment, prior to applying ARDEX AF 460 MS, as it can affect both the coverage and performance of the adhesive.

Uneven subfloors should be levelled with the appropriate ARDEX levelling and smoothing compounds e.g. ARDITEX NA or ARDEX K 15 Micro.

ARDEX A 46 can be used for repairs to the subfloor/stairs etc., in accordance with the product data sheet.

Joints, nail holes and imperfections in plywood, or minor surface damage to existing levelling and smoothing compounds i.e. footprints or trowel marks, may be pre-

smoothed and levelled prior to the application of ARDEX AF 460 MS, using ARDEX Feather Finish in accordance with the product data sheet.

Fabricated underlays such as flooring grade plywood, (SP101) should be installed where required over existing timber bases. Wood-based fabricated underlays should be suitable for the floorcovering and be at the equilibrium moisture content they will have in service at the time they are covered. Light organic solvent preservative (LOSP) treated plywood is not a suitable substrate.

MIXING

ARDEX AF 460 MS is ready for use and does not require mixing.

APPLICATION

The installation area and subfloor should be kept at the recommended temperature as specified by the floorcovering manufacturer and the relevant clauses of NZS/AS 1884:2013. These temperatures need to be maintained 48 hours prior to installation, during installation, and 48 hours after installation.

ARDEX AF 460 MS should not be used at temperatures lower than 15°C. In these conditions, warm the adhesive prior to application.

ARDEX AF 460 MS should be applied evenly to the suitably prepared substrate using the appropriate serrated trowel, held approximately at a 60 degree angle to the subfloor, to maximise coverage and avoid forming pools of adhesive.

Depending on the type of installation, the following advice should be observed.

Floorcoverings should be applied directly into the wet adhesive on absorbent backgrounds after the airing time, between 0-20 minutes depending on ambient conditions. Allowing the adhesive to air will improve early stage grab.

Apply the engineered timber flooring and press down firmly. Ensure that the underside of each piece is sufficiently coated with adhesive.

Only apply sufficient adhesive that can be covered within the working time, usually 35 minutes. Periodically check that the adhesive has transferred to the rear of the floorcovering.

Apply cork flooring by pressing into wet adhesive with a manual roller. After 60 to 120 minutes each cork section will need to be pressed again in order to ensure full adhesion.

ARDEX AF 460 MS

One-Component Firm-Elastic Engineered Timber Adhesive

Immediately clean tools after use as ARDEX AF 460 MS - after hardening may require mechanical removal.

Do not allow the floor to be wet cleaned immediately after the floorcovering has been installed. Allow significant time for the adhesive bond to develop before wet cleaning commences, typically 48 hours at 20°C.

When applying adhesive onto the substrate, ensure that any adhesive which is surplus to requirements, and has been moved across the subfloor, is not placed back into the container. It should be placed into an alternative container for safe, easy disposal. This will avoid possible contamination issues.

UNDERFLOOR HEATING

Underfloor heating systems should be commissioned in accordance with the heating manufacturer's instructions; if comment cannot be found then the guidance given in NZS/AS 1884:2013 should be followed.

Thermal cycling of the subfloor will require raising the temperature of the substrate slowly to full operating temperature, held for a defined period, and slowly brought back down so that any shrinkage that is likely to take place occurs before the floorcovering is installed.

If possible, moisture tests are required to verify the relative humidity of the substrate, the underfloor heating system should be switched off for 48 hours prior to testing.

If moisture testing is not possible, or after the tests are completed, the heating system should be stabilised to room temperature, but not below 15°C, before installing the floorcovering.

The floorcovering should be allowed to acclimatise to the substrate temperature before installation with ARDEX AF 460 MS.

After installation allow at least 48 hours of constant temperature for the adhesive to properly cure, before slowly increasing the temperature up to the normal operating temperature of the area at a rate of approximately 2°C per day. Do not subject the floor to static or dynamic loads, loaded trolleys, etc., or move fixtures, furniture, etc., onto the flooring until the adhesive has fully set, typically 48 hours at 20°C.

HIGH TEMPERATURE

ARDEX AF 460 MS is suitable for use over underfloor heating systems and is classified as high temperature resistant. ARDEX AF 460 MS is suitable for use in areas of high solar gain such as conservatories and northerly facing aspects. The surface floor temperature must not exceed 50°C for prolonged periods.

Consult the floorcovering manufacturer for detailed guidance.

CLEANING

Remove spills or seepage with heavy duty cleaning wipes.

Aggressive cleaning agents should only be used with the permission of the floorcovering manufacturer.

PACKAGING

ARDEX AF 460 MS is packed in plastic tubs 18kg net weight.

COVERAGE

See table below.

The actual coverage achieved in practice is affected by application technique, as well as the texture and absorbency of the subfloor.

STORAGE

ARDEX AF 460 MS has a shelf life of 18 months if stored in good conditions, between 5°C and 30°C, in the original unopened container. Do not allow to freeze.

PRECAUTIONS

ARDEX AF 460 MS is non-hazardous in normal usage, however, good hygiene practices should be followed.

Avoid contact with skin; wash off with soap and water before drying takes place. In case of contact with eyes, rinse carefully and thoroughly with water and seek medical advice. In case of ingestion seek medical assistance. Consult the relevant Safety Data Sheets for further information.

For the latest technical or health and safety information on this product, consult the current product or safety data sheet online at: ardex.co.nz

WORDING AND TERMINOLOGY -

Airing Time

The time the adhesive must be left open before applying the floorcovering. Between 0-20 minutes*.

Working Time

The time in which the adhesive can receive the floorcovering after the initial airing time. Up to 40 minutes.

ARDEX AF 460 MS

One-Component Firm-Elastic Timber Adhesive

**Toll Free Technical Services:
0800 227 339 (New Zealand)**

Open Time

The combination of airing and working time. Up to 40 minutes.




* depending on the absorbency of the subfloor and ambient conditions.

The guidance from the floorcovering manufacturer should always be followed if different from the information contained in this Technical Data Sheet.

The technical details, recommendations and other information contained in this data sheet are given in good faith and represent the best of our knowledge and experience at the time of printing. It is your responsibility to ensure that our products are used and handled correctly and in accordance with any applicable New Zealand & Australian Standards, our instructions and recommendations and only for the uses they are intended. We also reserve the right to update information without prior notice to you to reflect our ongoing research and development program. Country specific recommendations, depending on local standards, codes of practice, building regulations or industry guidelines, may effect specific installation recommendations. The supply of our products and services is also subject to certain terms, warranties and exclusions, which may have already been disclosed to you in prior dealings or are otherwise available to you on request. You should make yourself familiar with them.

© ARDEX New Zealand Ltd February 2024.

All aforementioned products are the trademarks of ARDEX New Zealand Ltd, its licensors and affiliates.

Flooring Type	Trowel Size	Coverage
Cork flooring	A2 	Up to 42m ²
Small format parquet/timber	B3 	Up to 19m ²
Engineered timber	B11 	Up to 16m ²